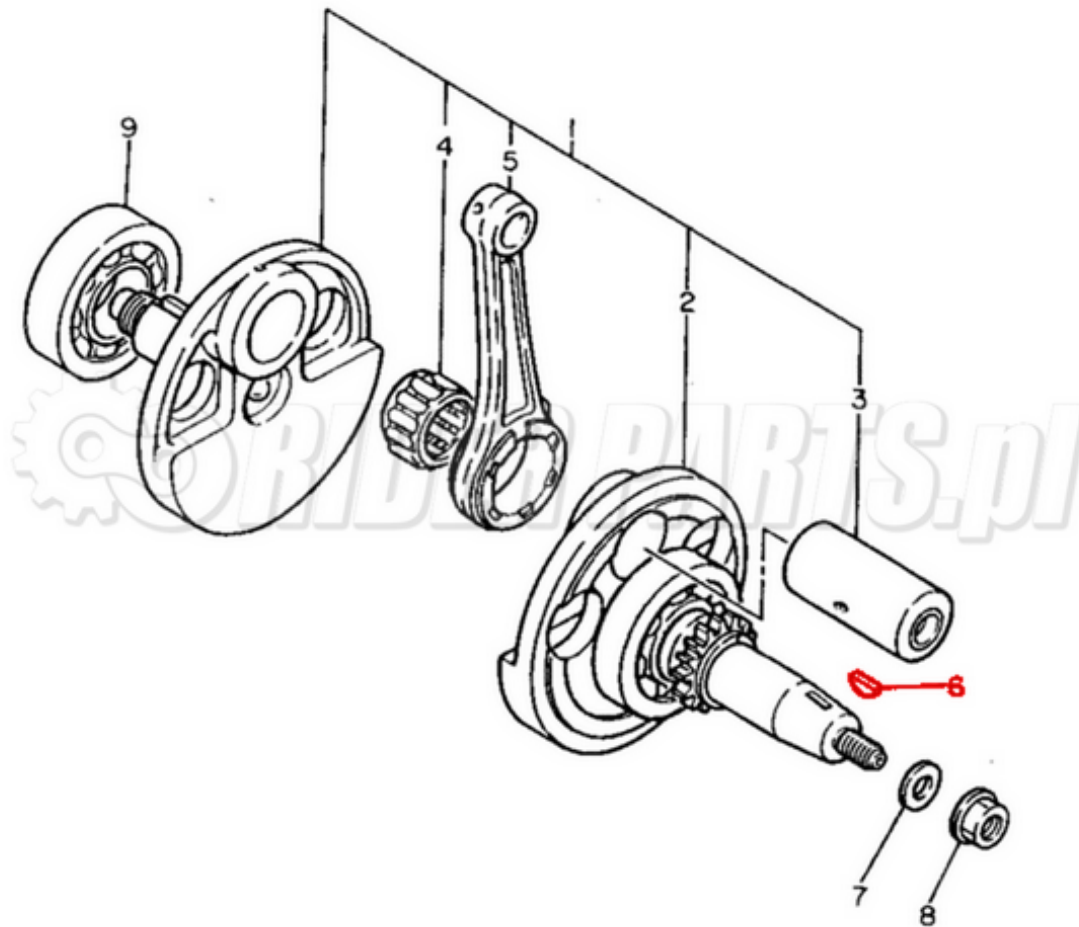




Klin ustalający koło magnesowe Yamaha 90280-05001-00 / 90280-16053-00



Zastosowanie **Yamaha:**

XT600  
TT600  
MT03  
XT660  
CP250  
YP250  
YP400  
BW200 Big Wheel  
BW350 Big Wheel  
DT250/400  
FZR400  
FZR500  
FZR500 Genesis  
FZR600 Genesis  
SRX600  
SZR660  
TT225  
TT250  
TT250R (TT-R/ RAID)  
TT350  
TT500  
TTR225  
TW200 TRAILWAY  
XT125

XT200  
XT225 Serow  
XTZ660 Tenere  
XV1000 Virago  
XV1100 Virago  
XV1700  
XV250/XV400/XV500/XV535 Virago  
XV700 Virago  
XV750 Virago  
XVS1100 Drag Star  
XVS1300  
XVS400 Drag Star  
XVS650 Drag Star  
XVS950 Midnight Star  
YP250  
YZ250  
YZ360  
YZ400  
YZF600R Thundercat

ID 1921