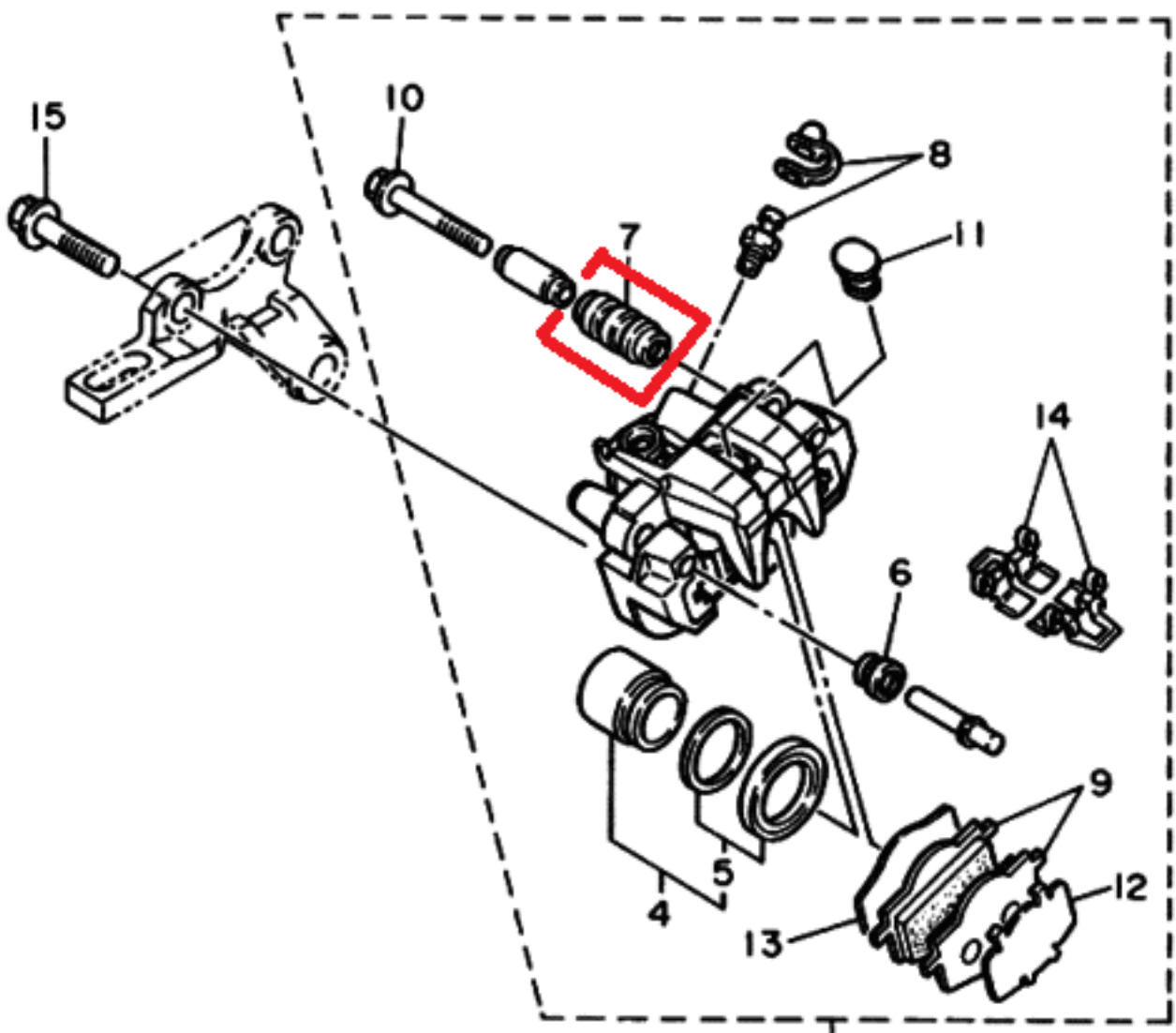
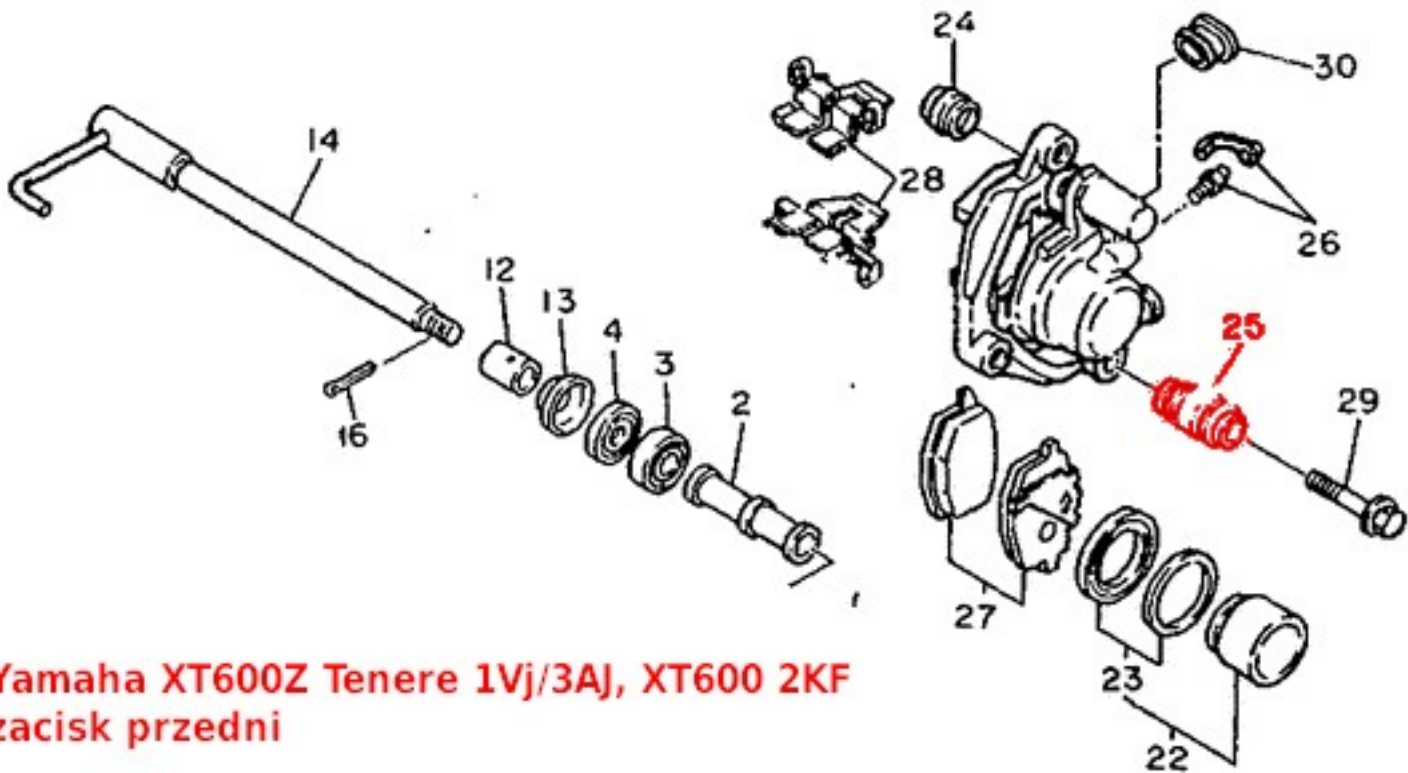




Osłona gumowa prowadnicy zacisku hamulcowego Yamaha 34X-25937-000 - oryginał







**Yamaha XT600Z Tenere 1Vj/3Aj, XT600 2KF  
zacisk przedni**

**Zastosowanie:**

- CV50 (JOG)
- DT125
- DT125R
- DT125X
- DT125
- DT125L
- DT200
- DT50
- DT50
- DT80
- DT80
- RT180
- TDR125
- TDR50
- TDR80
- TT225
- TT600
- TTR225
- TT-R225
- TT-R225 (OFF ROAD)
- TZ50
- TZM50
- TZR50
- X-POWER
- XT225 (SEROW)
- XT225
- XT250 (SEROW)

XT250  
XT350  
XT350  
XT400E (ARTESIA)  
XT500  
XT600  
XT600  
XTZ660 (TENERE)  
XV400 (VIRAGO)  
Virago  
XV500 (VIRAGO)  
Virago  
XV535 (VIRAGO)  
Virago  
YSR50  
YSR80  
YZ125  
Competition  
Motocross  
YZ250  
YZ250  
YZ250F  
YZ250F Competition  
YZ250 Competition  
YZ250 Motocross  
YZF-R3  
R3

ID 1795