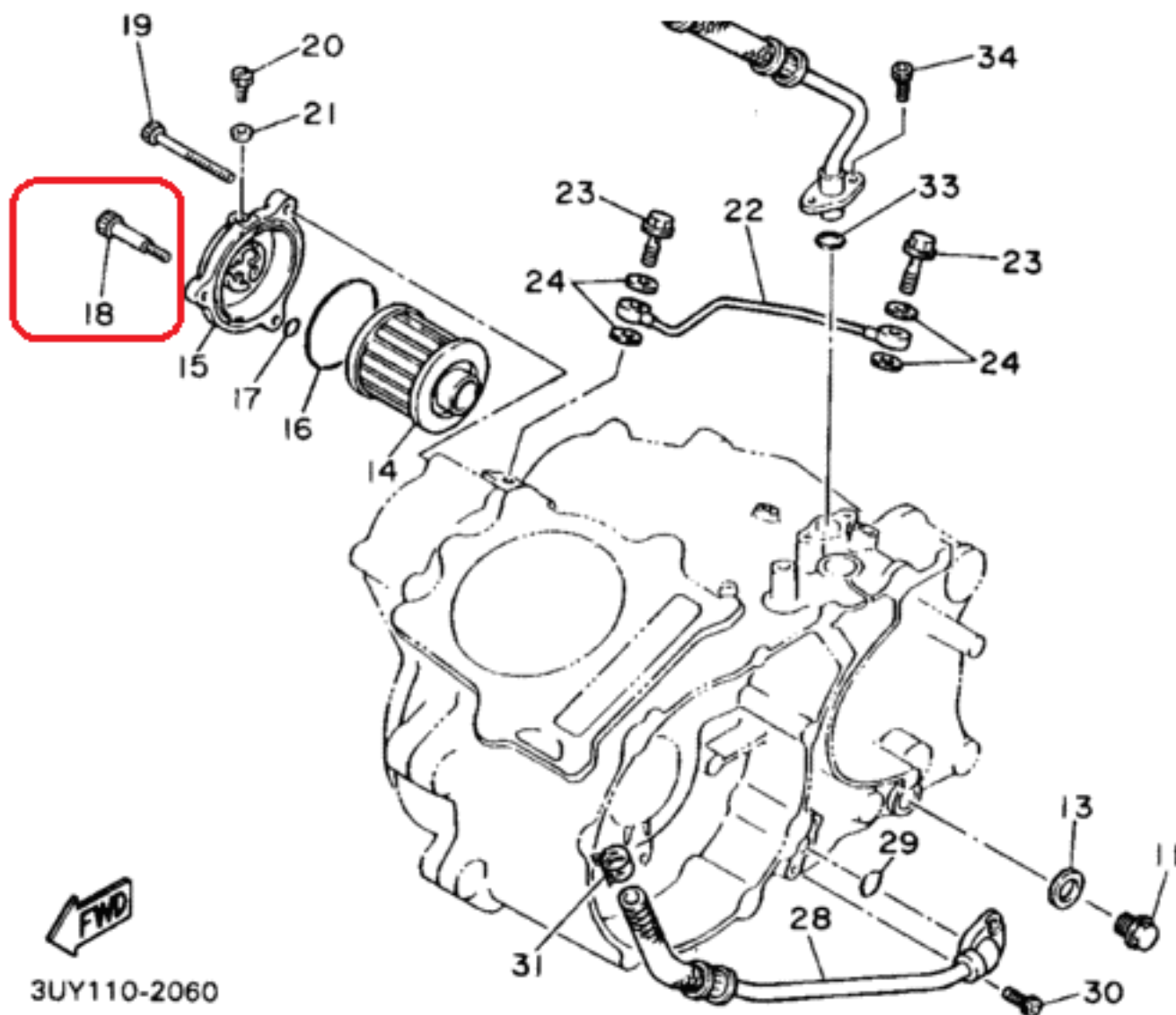




Śruba spustowa pokrywy filtra oleju Yamaha 90109-06419-00



Zastosowanie Yamaha:

- BW200
- BW350 (Big Wheel)
- MT03
- MT-03
- SR125
- SR185
- SR250
- SR250
- SR250 Special
- SR250 Classic
- SR400
- SR500
- SRX250
- SRX400
- SRX600
- SZR660
- TT-R250

TT-R250
TT225
TT250
TT250R (TT-R/ RAID)
TT350
TT500
TT600
TTR225
TT-R225
TT-R225 (OFF ROAD)
TW125
TW200 TRAILWAY
TW225
XT125
XT200
XT225 (SEROW)
XT250 (SEROW)
XT250
XT350
XT350
XT400E (ARTESIA)
Artesia
XT500
XT550
XT600
XT600
XT660
XT660R
XT660X
XT660Z Tenere
XTZ660 Tenere
XV1600
YD125

ID 1796