



Zabezpieczenie nakrętki kosza sprzęgła Yamaha 90215-20231-00

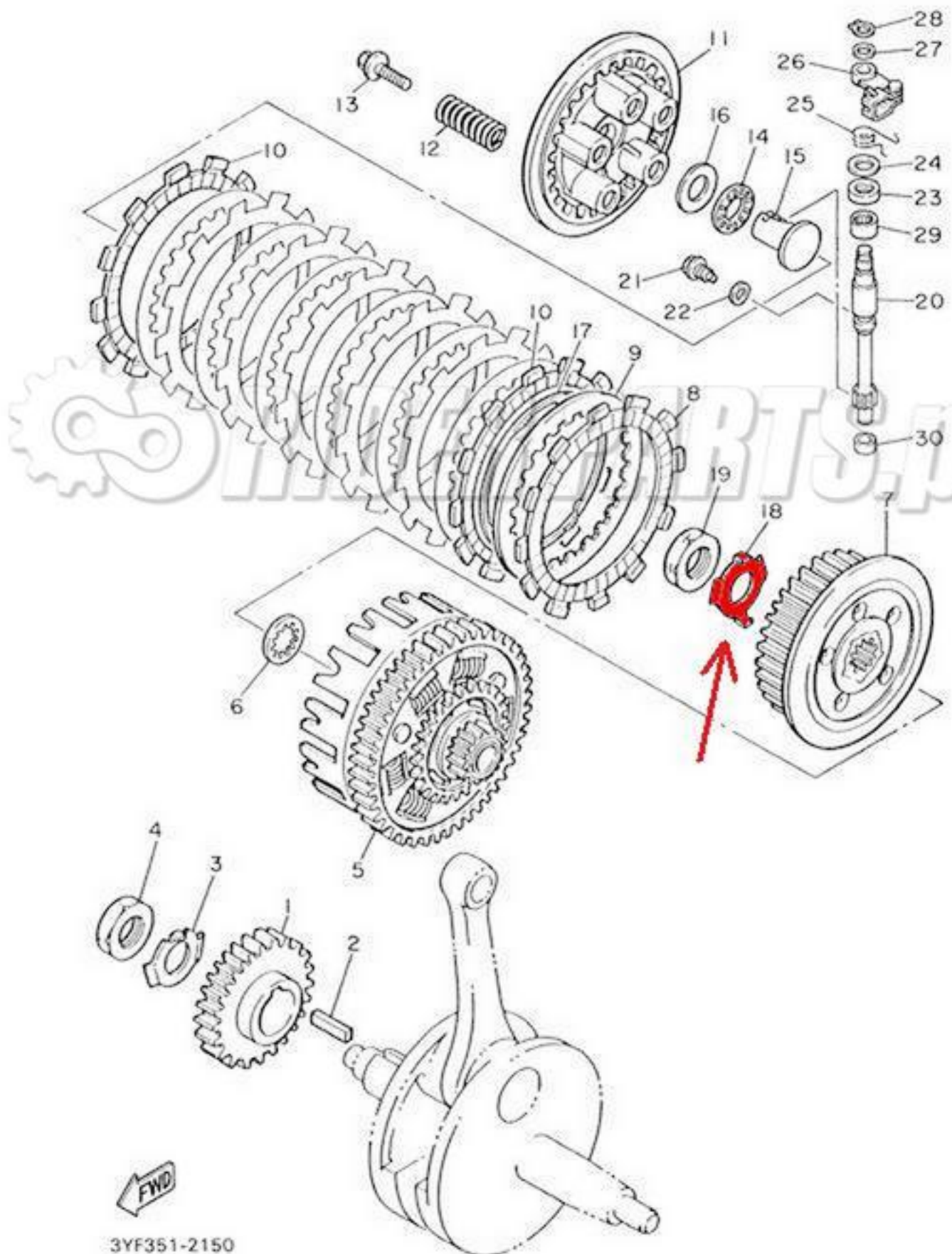
Zastosowanie Yamaha:

BW350 (Big Wheel)
FJ600
FZ1 (USA)
FZ600
FZ750
FZR1000
FZR750
FZS1000 (FAZER)

XT400E (ARTESIA)
XT500
XT600
XTZ660
XTZ750 (SUPER TENERE)
XV1000 (VIRAGO)
XV1100 (VIRAGO)
XV1100S (VIRAGO SPECIAL)

FZX750
GTS1000
SRX400
SRX600
SZR660
TDM850
TRX850
TT600
TZR250
WR250Z
WR400F
WR426F
WR450F
XJ400
XJ600
XJ600 (SECA II)
XJ900
XJR400

XV700 (VIRAGO)
XV750 (VIRAGO)
XVS1100 (DRAG STAR/
V-STAR CUSTOM)
XVS1100 (V-STAR MIDNIGHT
CUSTOM)
XVS1100A (DRAG STAR
CLASSIC/ V-STAR CLASSIC)
XVS1100AT (V-STAR
SILVERADO)
YFZ50
YX600 (RADIAN)
YZ COMPETION
YZ MOTOCROSS
YZ250
YZ250F
YZ400F
YZ426F
YZ450F
YZF-R6
YZF-R6 (USA)
YZF1000R (THUNDERACE)
YZF750



3YF351-2150

ID 1061

