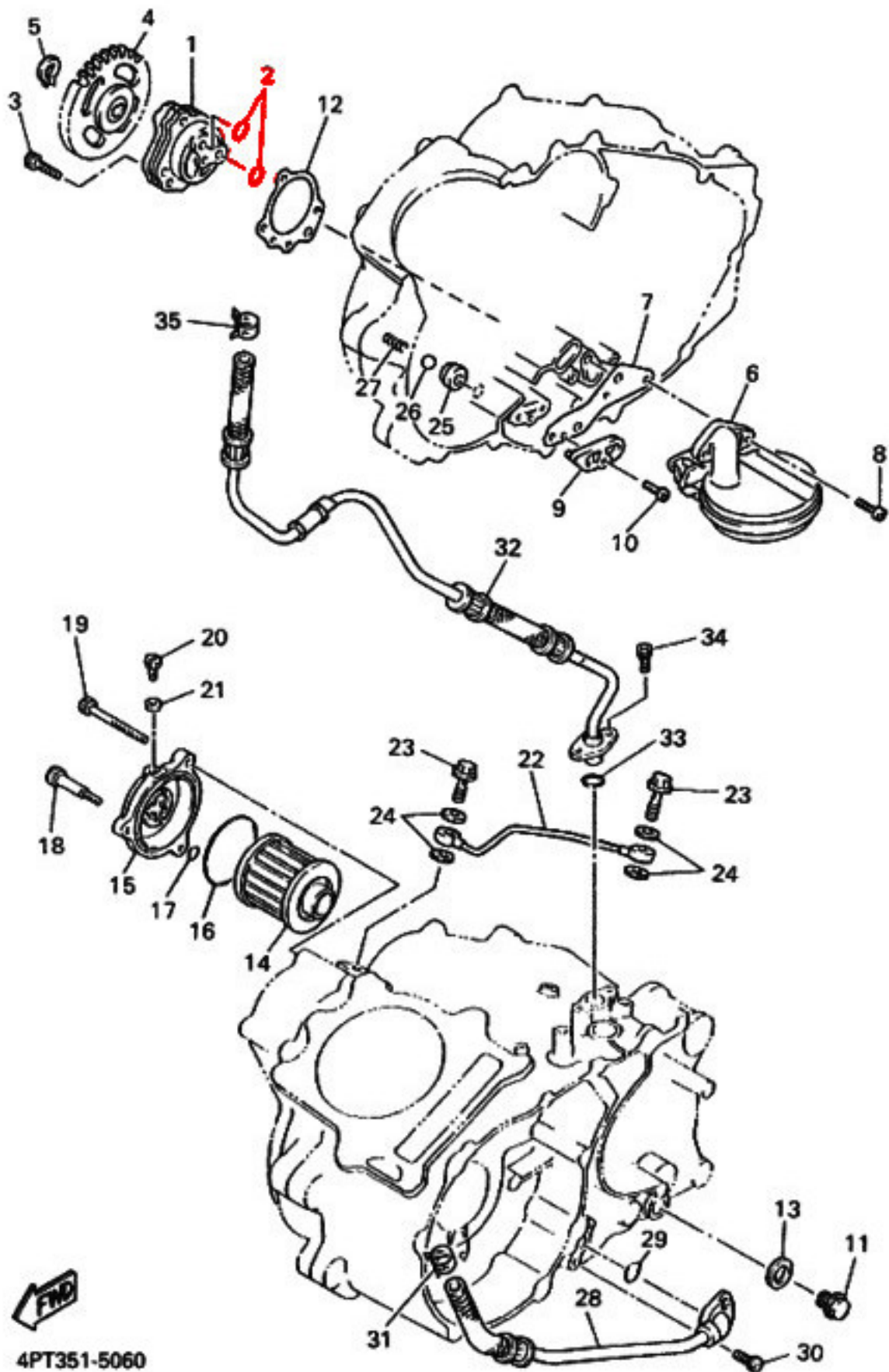




Uszczelka kanałów olejowych pompy oleju

Nr referencyjny Yamaha: 93210-13361-00



4PT351-5060

Zastosowanie m.in.:

YAMAHA

AG200
BW200 Big Wheel
FJ600
FZ10/ MTN1000
MT-10 SP
FZ600
FZS1000 FAZER
FZ1
SR125
SR185
SRX400
SRX600
ST225 Bronco
SZR660
TT225
TT600
TTR225
TT-R225
TTR230
TW125
TW200 TRAILWAY
TW225
VMAX12 (V-MAX JP)
V-MAX (JP)
VMX12 V-MAX
XC180 Cygnus
XJ1100
XJ400 Diversion (S-TYPE)
XJ550
XJ600 Diversion / SECA II
XJ600
XJR400
XS1100
XS250 Special
XS400
XT125
XT200
XT225 Serow
XT400E Artesia
XT500
XT550
XT600

ID 2614